



CDV29

Reference (B&B / Tri-Level) distribution amplifier with 9 outputs and Synapse reference inputs

A Synapse® product

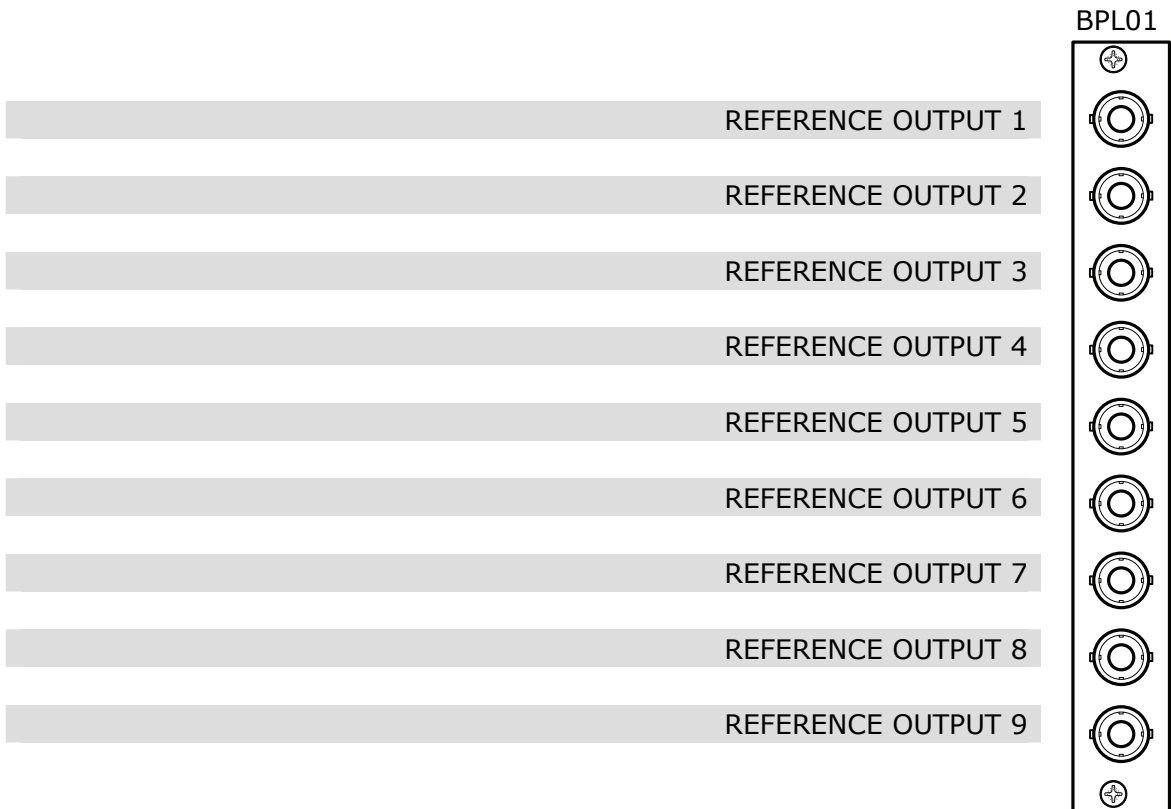
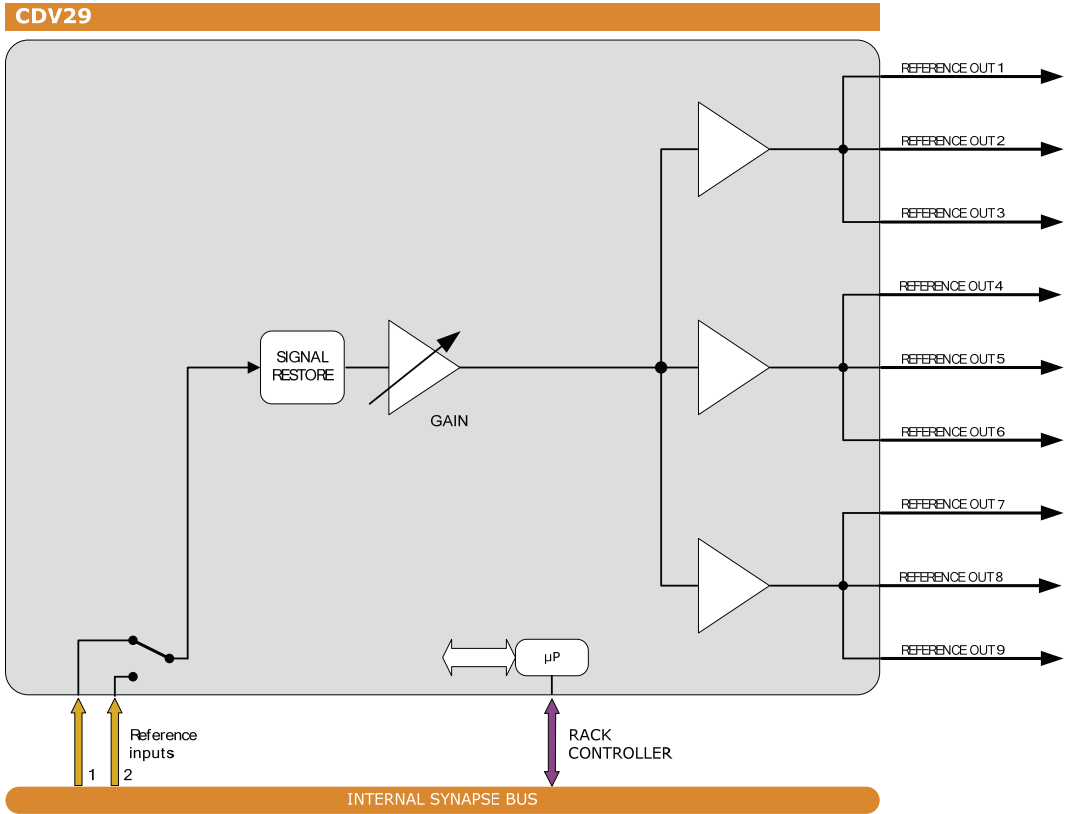
Synapse

COPYRIGHT ©2010 AXON DIGITAL DESIGN BV

ALL RIGHTS RESERVED

NO PART OF THIS DOCUMENT MAY BE REPRODUCED IN ANY FORM WITHOUT THE PERMISSION OF AXON DIGITAL DESIGN BV.

Block schematic & I/O panel



Features & Applications

The CDV29 is a basic analog distribution amplifier providing 9 buffered outputs via the use of the internal Synapse Reference distribution system.

- 9 outputs
- Adjustable input gain
- DC restored
- Compatible with Tri-Level sync
- +/- 6dB gain adjustment
- Back-up functionality. In case of reference loss, the card can automatically switch to other reference input.
- Input status detection
- Full control and status monitoring through the front panel of the SFR04/SFR08/SFR18 frame and the Ethernet port (ACP)

Applications

The CDV29 is designed for applications where a cost effective analog Tri-level or Bi-level (B&B) distribution is needed. The straightforward design enables easy installation and reliable operation.

- Tri-Level Sync distribution

Ordering information

Module:

- **CDV29:** Analog video distribution amplifier with 9 outputs and Synapse reference inputs

Standard I/O:

- **BPL01_CDV29:** I/O panel for CDV29

Specifications

Reference input through RRC

Number of Inputs

2 on SFR18, 2 on SFR08 and 1 on SFR04

Input levels

700 mV. White to black. nominal 1 V sync tip to white.

75 Ohms terminated through loop

Return loss

Measured with Mini Circuits ZFDC-15-6-75

> 40 dB, @ 5 MHz

> 36 dB, @ 15 MHz

> 28 dB, @ 30 MHz

75 Ohms terminated

Analog outputs

Number of Outputs

9

Output levels

1 V sync tip to white, 75 Ohms terminated

Return loss

Measured with Mini Circuits ZFDC-15-6-75

> 37 dB, @ 5 MHz

> 34 dB, @ 15 MHz

> 29 dB, @ 30 MHz.

Other outputs 75 Ohms terminated

Performance

Frequency response

within 0,4 dB, 0 to 5 MHz.

Signal to noise ratio

66.5 dB. 10KHz to 6MHz, Tektronix VM700T

Bar tilt

0,1 %

Gain stability

1%

Miscellaneous

Weight

Approx. 250g

Operating Temperature

0 °C to +40 °C

Dimensions

137 x 296 x 20 mm (HxWxD)

Electrical

Voltage

+24V to +30V

Power

<4 Watts