



HAS05S

HD/SD 16-channel 4-group embedded audio shuffler
card with presets

A Synapse ® product

Synapse

SynLite

MASTER
Card

HD
High definition

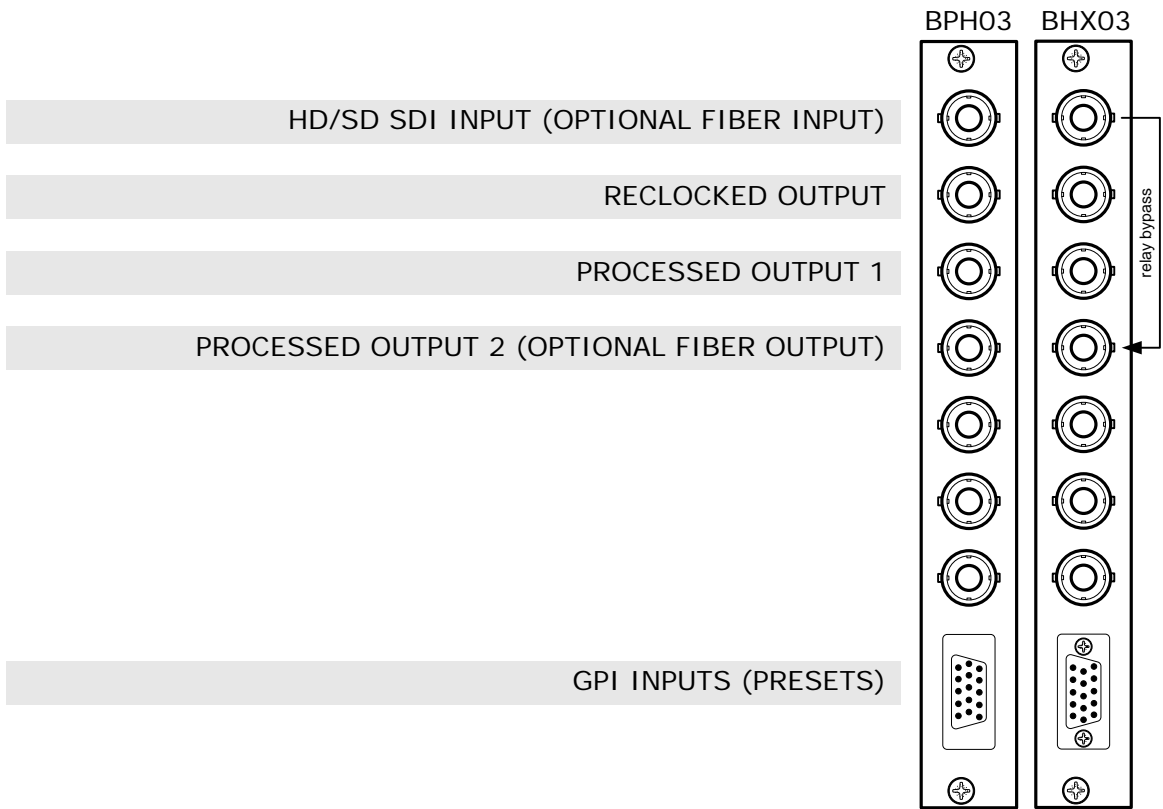
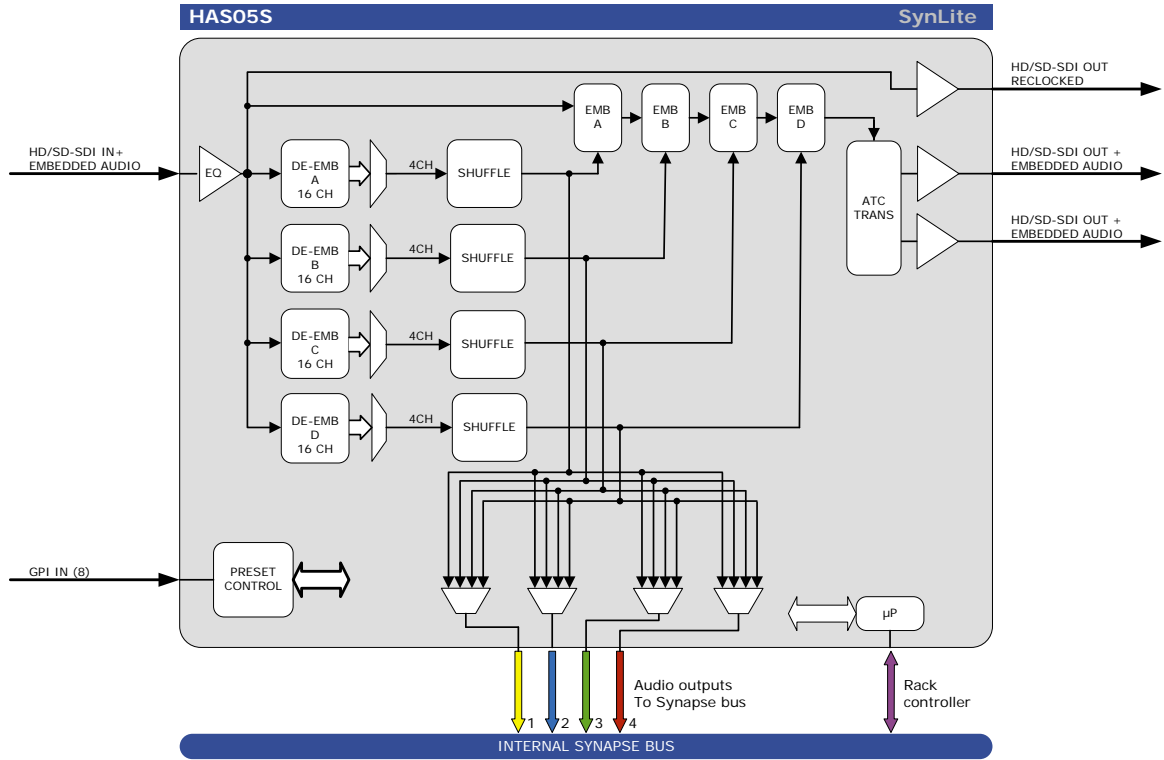
COMPATIBLE WITH
 DOLBY. E

COPYRIGHT ©2012 AXON DIGITAL DESIGN BV

ALL RIGHTS RESERVED

NO PART OF THIS DOCUMENT MAY BE REPRODUCED IN ANY FORM WITHOUT THE PERMISSION OF
AXON DIGITAL DESIGN BV.

Block schematic & I/O panel



Features

The HAS05S is a 16 channel in 4 group preset based HD/SD-SDI embedded audio shuffler. AXON is an industry first with this comprehensive card, and puts full audio control power in to the hands of an HD-SDI embedded signal user. The preset based control of this card makes it ideal for repeated corrections or standard channel swapping occasions in a multi lingual (combined with Dolby E) environment. If dynamic control is required the card can still perform this task as every preset is remote controllable by a third party control protocol or our dedicated control panel SCP08.

- HD-SDI and SD-SDI compatible
- 16 channel selection (any 16 out of 16)
- 8 presets (GPI or ACP controlled)
- Post monitoring with ADD-ON Card
- Silence detection with threshold (-100 to -20dBFS) and time control (1 to 255 sec)
- Possible to mute audio channels independently
- Transparent for ATC time code RP188, RP196, RP215
- Locks to SDI input
- Full control and status monitoring through the front panel of the SFR04/SFR08/SFR18 frame and the Ethernet port (ACP)
- Optional 1 fiber input (replacing 1 SDI input) or 1 fiber output (replacing 1 SDI output) on I/O panel

Complementary cards:

- DAC20, DAC24, DAS24, DIO48, DIO24, DLA44, DLA43

Applications

- Preset based play-list audio shuffling
- OB Van audio shuffling with job determined presets

Ordering information

Module:

- **HAS05S:** HD/SD 16-channel 4-group embedded audio processing card with presets

Standard I/O:

- **BPH03_HAS05S:** I/O-panel for HAS05S

Standard I/O:

- **BHX03_HAS05S:** I/O-panel for HAS05S with relay bypass

Fiber outputs:

- **BPH03T_FC/PC_HAS05S:** I/O-panel for HAS05S with fiber transmitter on FC/PC
- **BPH03T_SC_HAS05S:** I/O-panel for HAS05S with fiber transmitter on SC

Fiber inputs:

- **BPH03R_FC/PC_HAS05S:** I/O-panel for HAS05S with fiber receiver on FC/PC
- **BPH03R_SC_HAS05S:** I/O-panel for HAS05S with fiber receiver on SC

Specifications

HD/SD Serial Video Input

Standard	625/50 or 525/59.94 SMPTE 259M-C (270Mb/s) with SMPTE 272M embedded audio SMPTE 292M (1.5Gb/s), SMPTE 260M, SMPTE 274M, SMPTE 296M, SMPTE 349M 1080i/59.94, 1080i/50, 720p/59.94, 720p/50
Equalization	Automatic to 100m @ 1.5Gb/s with Belden 1694A or equivalent cable.
Return Loss	> 15dB up to 1.5GHz

HD Serial Video Output

Standard	625/50 or 525/59.94 SMPTE 259M-C (270Mb/s) with SMPTE 272M embedded audio SMPTE 292M (1.5Gb/s), SMPTE 260M, SMPTE 274M, SMPTE 296M, SMPTE 349M 1080i/59.94, 1080i/50, 720p/59.94, 720p/50
Signal Level	800mV nominal
DC Offset	0V \pm 0.5V
Rise and Fall Time	200ps nominal for HD, 750ps nominal for SD
Overshoot	< 10% of amplitude
Return Loss	> 15dB up to 1.0Gb/s, > 10dB up to 1.5Gb/s
Wideband Jitter	< 0.2UI

Miscellaneous

Weight	Approx. 250g
Operating Temperature	0 °C to +50 °C
Dimensions	137 x 296 x 20 mm (HxWxD)

Electrical

Voltage	+24V to +30V
Power	7 Watts