



**DVO48**

**Voice over card with quad speed ADD-ON bus**

**A Synapse® product**

The logo for Synapse, featuring the word "Synapse" in a light blue, cursive script font with a slight shadow effect.

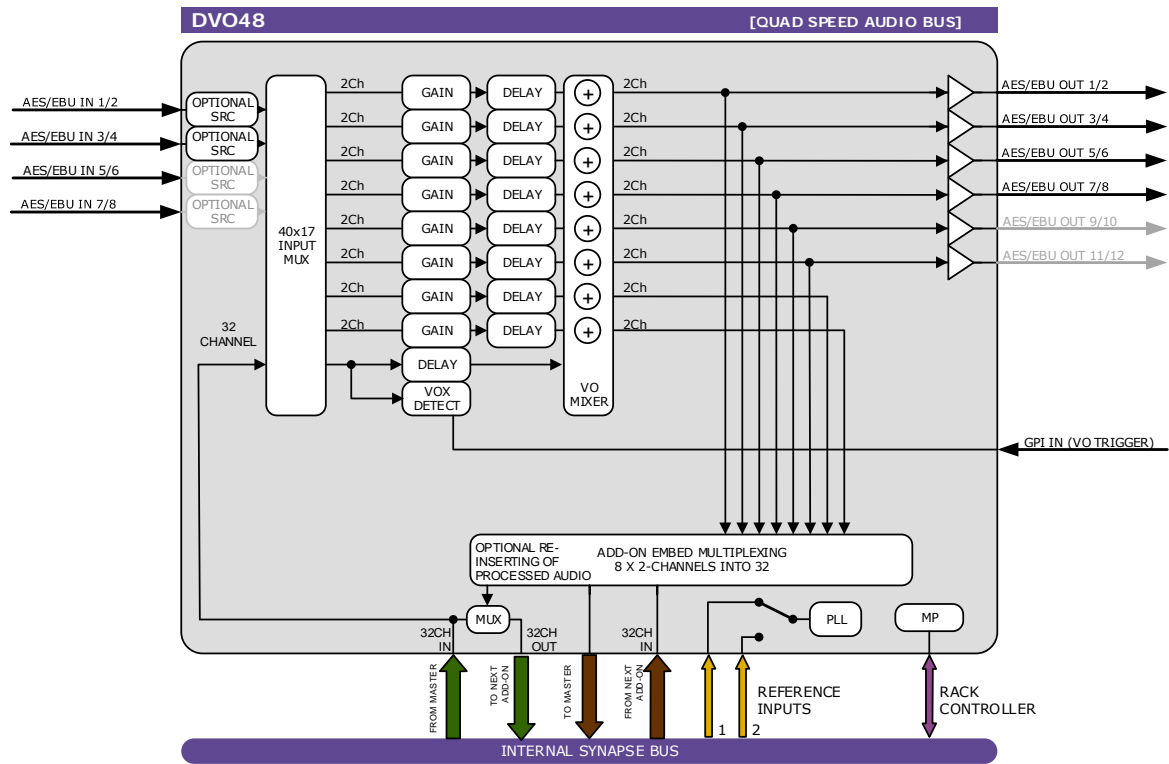


**COPYRIGHT ©2014 AXON DIGITAL DESIGN BV**

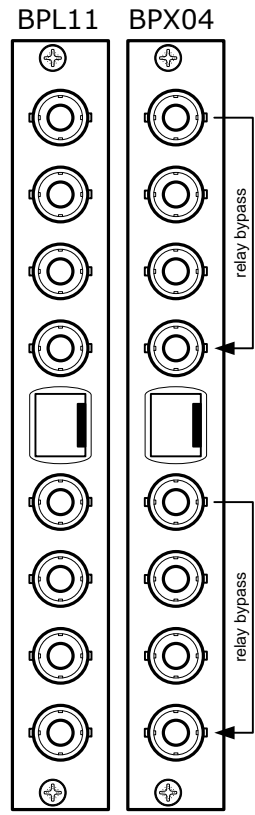
**ALL RIGHTS RESERVED**

**NO PART OF THIS DOCUMENT MAY BE REPRODUCED IN ANY FORM  
WITHOUT THE PERMISSION OF AXON DIGITAL DESIGN BV.**

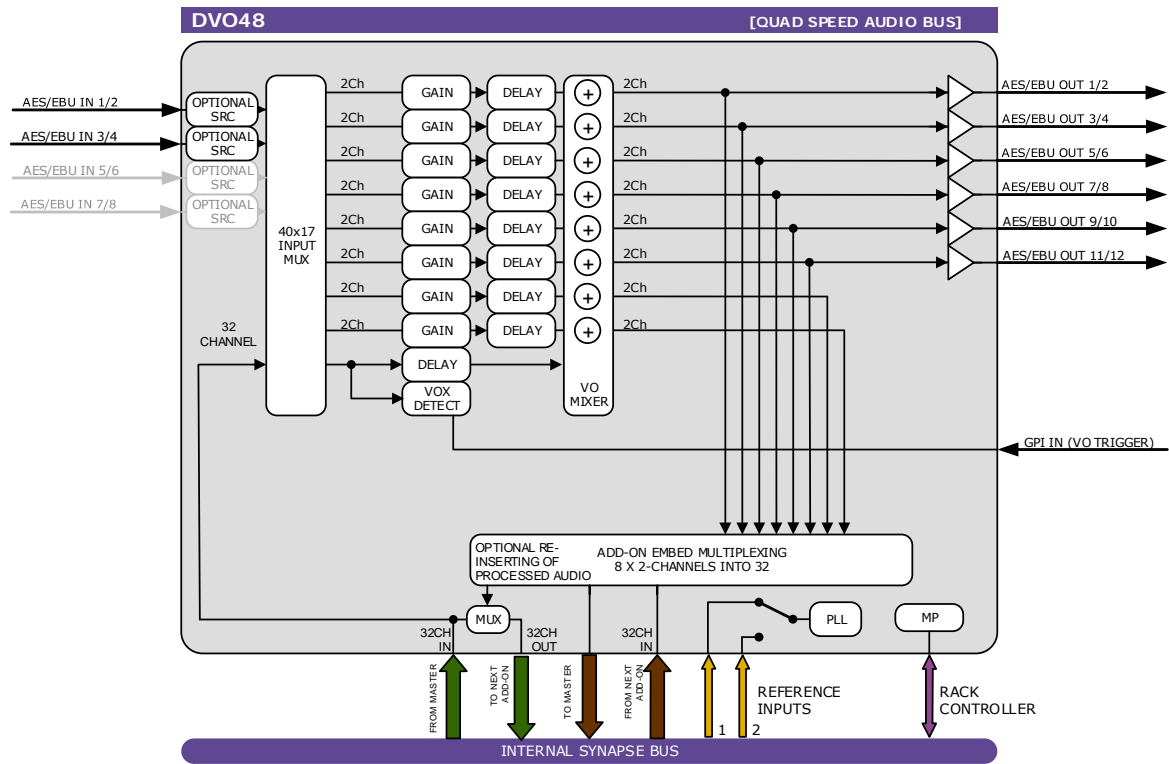
Block schematic & I/O panel [MODE 1]



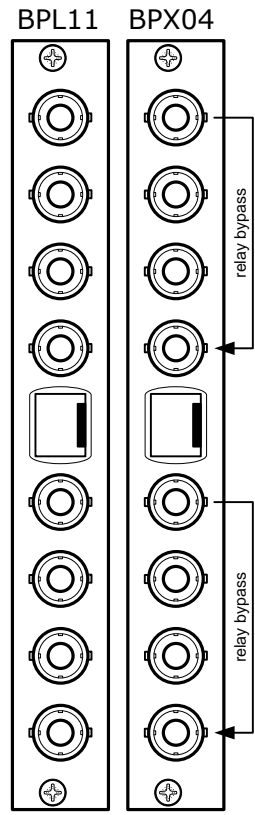
- AES/EBU IN 1/2
- AES/EBU IN 3/4
- AES/EBU OUT 1/2
- AES/EBU OUT 3/4
- GPI
- AES/EBU OUT 5/6
- AES/EBU OUT 7/8
- AES/EBU IN 5/6
- AES/EBU IN 7/8



Block schematic & I/O panel [MODE 2]



- AES/EBU IN 1/2
- AES/EBU IN 3/4
- AES/EBU OUT 1/2
- AES/EBU OUT 3/4
- GPI
- AES/EBU OUT 5/6
- AES/EBU OUT 7/8
- AES/EBU OUT 9/10
- AES/EBU OUT 11/12



### Features

---

The DVO48 is an AES/EBU Voice over card. The Synapse quad speed audio bus enables up to 32 channels being transported from Master Card to ADD-ON card and simultaneously 32 channels from ADD-ON card(s) to Master Card.

The voice over can be activated by GPI or by a a level trigger (voice)

- Voice activated Voice Over engine that can be applied to any of the 16 internal streams
  - GPI trigger of VO is included
  - GPI can be used as 'cough button' to mute unwanted voice activated mixing
- 16 channel PCM processing capabilities
- Quad speed audio bus for convenient routing of ADD-ON channels
- Optional re-inserting of processed audio for downstream post-processing into other quad speed bus devices
- 2 or 4 physical stereo AES/EBU inputs and 16 stereo bus inputs.
- 4 or 6 physical stereo AES/EBU (can contain Dolby Bit streams) outputs and 8 stereo (into 16 stereo) bus outputs
- 16x 2 channel audio insertion into 32 channel Quad speed audio bus (allows for duplicates)
- Full control and status monitoring through the front panel of the SFR04/SFR08/SFR18 frame and the Ethernet port (ACP)

Compatible Master Cards:

G/HDK100, G/HXT110, G/HEP100, G/HPD100, G/HED100 and all future Quad Speed Audio bus enabled Master Cards

### Applications

---

- Voice over application in multi channel environments

### Ordering information

---

**Module:**

- **DVO48:** Universal triple Voice Over card into 16 channel I/O

**Standard I/O:**

- **BPL11\_DVO48:** I/O panel for DVO48 with unbalanced AES/EBU in and out
- **BPX04\_DVO48:** I/O panel with relay bypass (caution mot in all modes) for DVO48 with unbalanced AES/EBU in and out

## Specifications

---

### AES Audio Input

---

<b>Connector Standard</b>	BNC 75 Ohm AES-1992 for synchronous or asynchronous PCM/AES, SMPTE 276M for single ended synchronous or asynchronous PCM/AES
<b>Number of physical Inputs</b>	Up to 8 depending on mode
<b>Sampling Rate</b>	32 kHz to 192 kHz converted to 48kHz internally or Synchronous 48 kHz in SRC transparent mode
<b>Resolution</b>	24 bits when AES inputs selected, 20 bits in SD Master/ADD-ON mode
<b>Minimum Input/Output Delay</b>	1 ms
<b>Impedance</b>	75 Ohms
<b>Level</b>	0.2V to 1V nom

### AES Audio Output

---

<b>Number of physical Outputs</b>	Up to 8 depending on mode
<b>Connector</b>	BNC 75 Ohms
<b>Resolution</b>	24 bits
<b>Sampling Rate</b>	48KHz synchronous
<b>Minimum Input/Output delay</b>	1ms
<b>Maximum Input/Output offset delay</b>	1300 ms

### Miscellaneous

---

<b>Weight</b>	Approx. 250g
<b>Operating Temperature</b>	0 °C to +50 °C
<b>Dimensions</b>	137 x 296 x 20 mm (HxWxD)

### Electrical

---

<b>Voltage</b>	+24V to +30V
<b>Power</b>	<7 Watts