



ERC108-118
ERS108-118

**Enhanced rack controller for SFR08 and SFR18 with
optional SNMP agent (ERS only)**

A Synapse® product

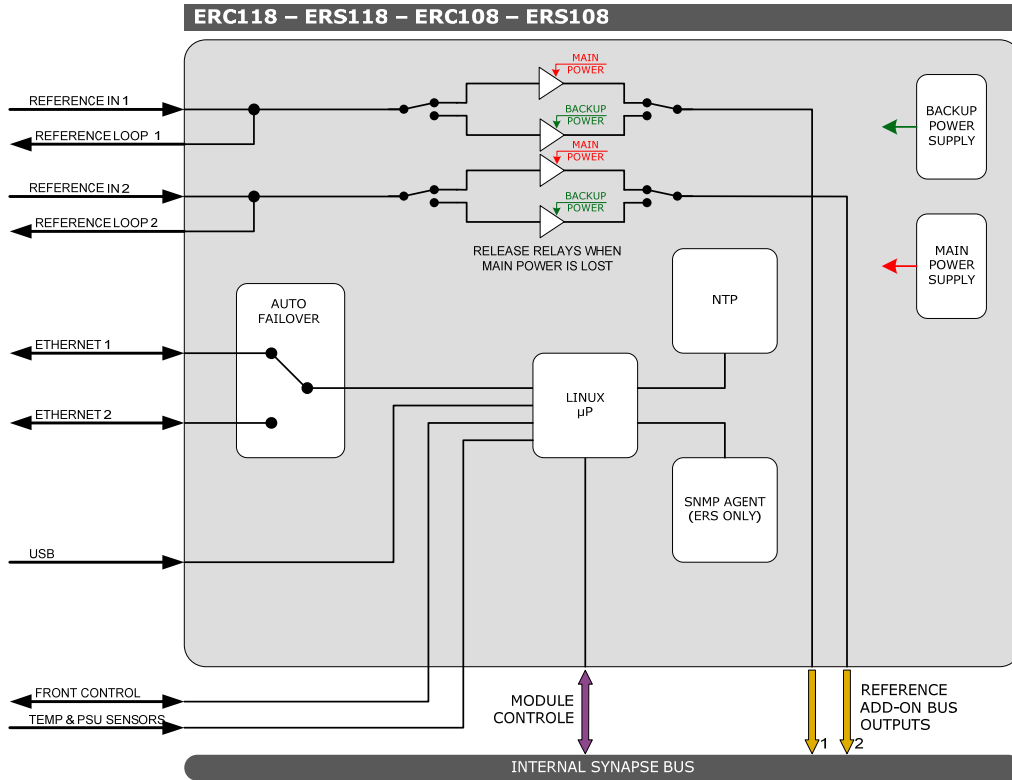
Synapse

COPYRIGHT © 2012 AXON DIGITAL DESIGN BV

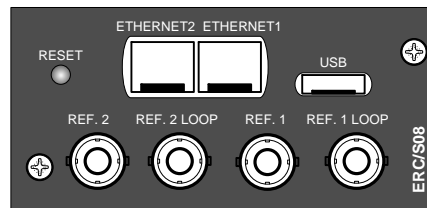
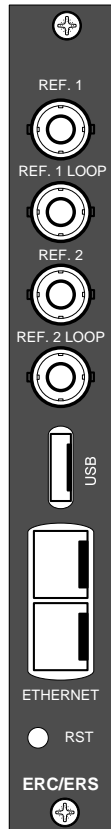
ALL RIGHTS RESERVED

NO PART OF THIS DOCUMENT MAY BE REPRODUCED IN ANY FORM WITHOUT THE PERMISSION OF
AXON DIGITAL DESIGN BV.

Block schematic & I/O panel



- REFERENCE INPUT 1
- LOOP OF REFERENCE INPUT 1
- REFERENCE INPUT 2
- LOOP OF REFERENCE INPUT 2
- USB INTERFACE
- ETHERNET 1
- ETHERNET 2 (FAILOVER)
- RESET BUTTON



Features

The ERC/ERS108 and 118 are the central controllers of the Synapse SFR18 and SFR08 system frame. The ERS108/118 includes an SNMP agent. It is used to configure, control and monitor Synapse systems and to provide network connectivity. The ERS/ERC also provides an input for two independent references with loop through.

- TCP/IP and UDP support
- Support for up to 2 NTP servers
- PSU status announcements
- Temperature measurement of frame
- Dual redundant gigabit Ethernet
- USB interface (future use)
- Dual reference inputs with loop
- Supports reference distribution of Bi-Level sync, Tri-Level sync and Word Clock
- Reset button

Ordering information

- **ERC118:** Central rack controller for the Synapse SFR18 system frame
- **ERS118:** Central rack controller for the Synapse SFR18 system frame with SNMP agent
- **ERC108:** Central rack controller for the Synapse SFR08 system frame
- **ERS118:** Central rack controller for the Synapse SFR08 system frame with SNMP agent

Specifications

Reference video input

Standard	PAL (ITU624-4), NTSC (SMPTE 170M)
Number of Inputs	2
Connector	BNC
Signal level	Tri-level 600mVp-p nominal, Bi-level 300mVp-p nominal 75 Ohm terminated
Impedance	High impedance, with loop for termination
Return Loss	>25dB to 10MHz

Ethernet

Interface	Shielded Twisted Pair (STP)
Data rate	10BASE-T/100BASE-TX/1000BASE-T full duplex
Connector	RJ45
Number of interfaces	2 (auto failover)

USB

Data rate	USB 2.0 (480Mbits/second)
Connector	Female USB type A

Electrical

Voltage	24V to 30V
Power	Card <5.2W, fans up to 13W, USB <2.5W

Miscellaneous

Weight	Approx. 180g
Operation Temperature	0° C to 50° C