



GXG200-HXH200

**3Gb/s, HD, SD High Quality up/down/cross converter
and synchronizer with MAD technology**

A Synapse® product

Synapse

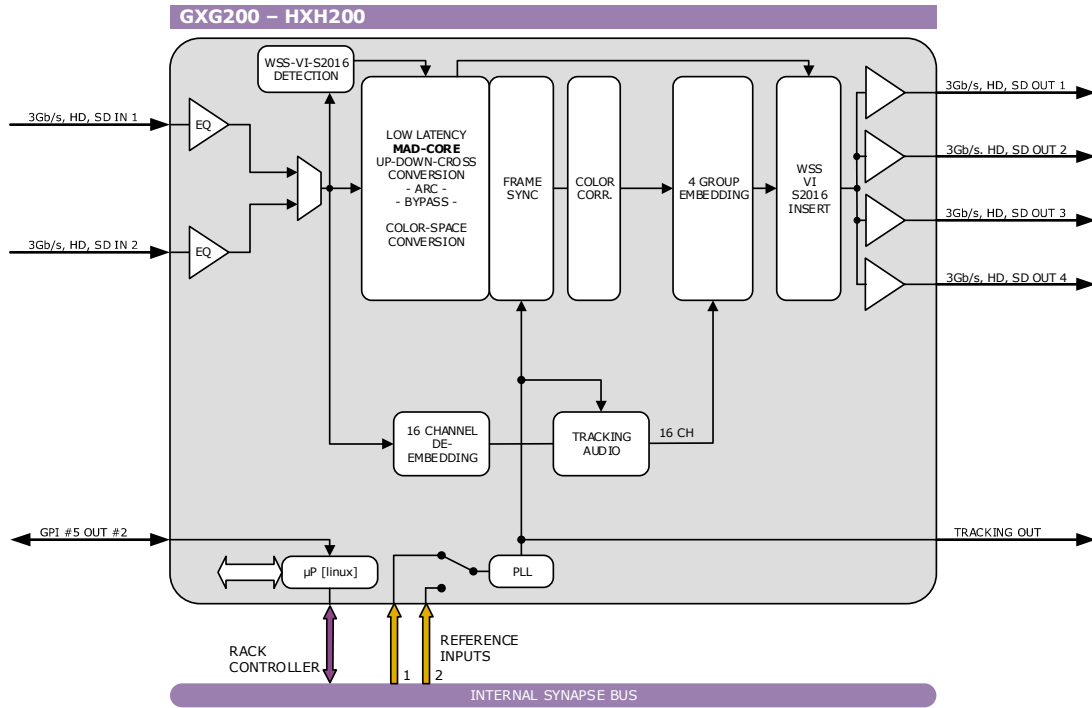


COPYRIGHT © 2014 AXON DIGITAL DESIGN BV

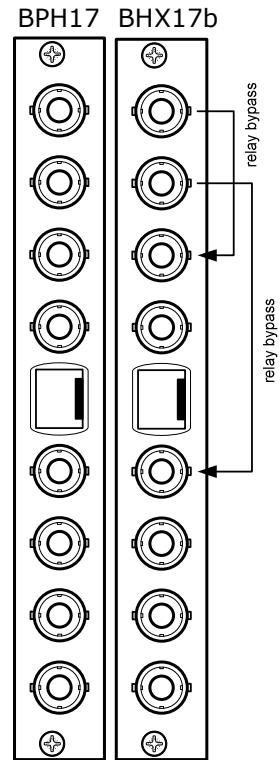
ALL RIGHTS RESERVED

NO PART OF THIS DOCUMENT MAY BE REPRODUCED IN ANY FORM WITHOUT THE PERMISSION OF
AXON DIGITAL DESIGN BV.

Block schematic & I/O panel



- 3Gb/s, HD, SD INPUT 1 (OPTIONAL FIBER INPUT)
- 3Gb/s, HD, SD OUTPUT 1 (OPTIONAL FIBER OUTPUT)
- 3Gb/s, HD, SD OUTPUT 2
- GPI INPUT/OUTPUT, TRACKING OUT
- 3Gb/s, HD, SD OUTPUT 3
- 3Gb/s, HD, SD OUTPUT 4



Features

The GXG200 and HXH200 are high-quality up/down/cross converters with Axon's proprietary Motion Adaptive De-interlacing technology. This technology ensures fewer artifacts because of the selective combination of weaving and blending de-interlacing methods.

The optimized scaling and filter algorithms ensure crisp broadcast ready pictures from a native HD or SD source, by use of a 64 tap FIR filters. The appropriate aspect ratio can be applied by control of S2016 and GPI inputs by use of 8 presets per output that can store the aspect ratio conversions.

The GXG200 is compatible with SD, HD and 3Gb/s SDI (for full 1080p50 or 1080p59.94 use). The HXH200 is compatible with SD and HD SDI and can be future upgraded to 3Gb/s compatibility

- Low latency 'MAD' conversion process (Motion Adaptive De-interlacing)
- Compatible with the following input (auto selecting) and output formats (1080p50/60 only for GXG200):

▪ 1080p/59.94	▪ 720p/59.94
▪ 1080p/50	▪ 720p50
▪ 1080i/59.94	▪ 720p30
▪ 1080i/50	▪ 720p25
▪ 1080p/29.97	▪ 720p24
▪ 1080p25	▪ SD525
▪ 1080p24	▪ SD625
▪ 1080psf23.98	
- Frame sync with output phase control in Lines and pixels with respect to reference.
- All ARC modes contain:
 - Anamorphic
 - Center Cut
 - V-Zoom
 - LBox-16:9
 - LBox-14:9
 - PBox-4:3
 - PBox-14:9 (not for cross and trans)
 - Variable H and V (67—133%)
- 16 Free individual programmable presets banks for:
 - Up converter ARC
 - Down converter ARC
 - Cross converter ARC
 - Transparent ARC
 - VI/WSS/S2016 insertion
- 5 GPI inputs assignable to different preset banks
 - Up conversion aspect ratio
 - Down conversion aspect ratio
 - Cross conversion aspect ratio
 - Transparent aspect ratio (equal in-output)
 - Insertion of VI, WSS, AFD (S2016)
- ARC triggers by VI, WSS, WSSext and S2016 (AFD)
- Transparent for 16 channels of embedded audio
- Color corrector (RGB and total gain, RGB and total black)
- Hue control for NTSC inputs
- Locks to Tri-level, Bi-level or SDI input
- Full control and status monitoring through the front panel of the SFR04/SFR08/SFR18 frame and the Ethernet port (ACP)

Conversion abilities

The GXG-HXH200 cards are able to convert the following video formats:

CONVERSION		Output														
		1080p29.97	1080p25	1080p23.97	1080psf23.98	1080p50*	1080p59.94*	1080i59.94	1080i50	720p59.94	720p50	720p29.97	720p25	720p23.98	480i59.94(525)	576i50(625)
Input 1 or 2	1080p29.97	x		x	x			x			x		x	x		
	1080p25		x			x		x		x		x			x	
	1080p23.97	x		x	x						x			x		
	1080psf23.98	x		x	x		x	x		x			x	x		
	1080p50*		x			x		x		x		x			x	
	1080p59.94*	x		x	x		x	x		x		x		x	x	
	1080i59.94	x		x	x		x	x		x		x		x	x	
	1080i50		x			x		x		x		x				x
	720p59.94	x		x	x		x	x		x		x		x	x	
	720p50		x			x		x		x		x				x
	720p29.97	x		x	x		x			x		x		x	x	
	720p25		x			x					x		x			x
	720p23.98	x		x	x		x			x		x		x	x	
	480i59.94(525)	x		x	x		x	x		x		x		x	x	
	576i50(625)		x				x		x		x		x			x

* = GXG models only

Applications

- General System input up/down/cross converter/synchronizer
- Infra structure up/down/cross conversion

Ordering information

Module:

- **GXG200:** 3Gb/s, HD, SD-SDI up/down/cross converter
- **HXH200:** HD, SD-SDI up/down/cross converter

Standard I/O:

- **BPH17_GXG200:** I/O-panel for GXG-HXH200

Relay bypass I/O:

- **BHX17b_GXG200:** I/O-panel for GXG-HXH200 with relay bypass

Fiber outputs:

- **BPH17T_FC/PC_GXG200:** I/O panel for GXG-HXH200 with one fiber transmitter on FC/PC
- **BPH17T_SC_GXG200:** I/O panel for GXG-HXH200 with one fiber transmitter on SC

Fiber inputs:

- **BPH17R_FC/PC_GXG200:** I/O panel for GXG-HXH200 with one fiber receiver on FC/PC
- **BPH17R_SC_GXG200:** I/O panel for GXG-HXH200 with one fiber receiver on SC

Specifications

Serial Video Input

Standard	SD,HD and 3Gb/s SDI: SMPTE 292M, SMPTE 259M, SMPTE424
Number of Inputs	2
Connector	BNC
Equalization	Typical maximum equalized length of Belden 1694A cable: 130m at 2.97Gb/s, 120m at 1.485Gb/s, and 250m at 270Mb/s
Return Loss	> 15dB up to 1.5GHz

Serial Video Output

Number of Outputs	4
Connector	BNC
Signal Level	800mV nominal
DC Offset	0V \pm 0.5V
Rise/Fall Time	135ps nominal
Overshoot	< 10% of amplitude
Return Loss	> 15dB up to 1.5GHz (typ.) > 10dB up to 3GHz (typ.)
Wideband Jitter	< 0.2UI

Reference Input through RRC

Number of Inputs	2 on SFR18, 2 on SFR08 and 1 on SFR04
Tri-level	SMPTE274M, SMPTE296M 600 mVp-p nominal, 75 Ohms terminated through loop
Bi-level	PAL Black Burst ITU624-4/SMPTE318, Composite NTSC SMPTE 170M 1Vp-p nominal, 75 Ohms terminated through loop

Miscellaneous

Weight	Approx. 450g
Operating Temperature	0 °C to +40 °C
Dimensions	137 x 296 x 20 mm (HxWxD)

Electrical

Voltage	+24V to +30V
Power	<17 Watts