



SDR108

SD input distribution amplifier with 8 outputs (ASI/DVB compatible)

A Synapse® product

Synapse

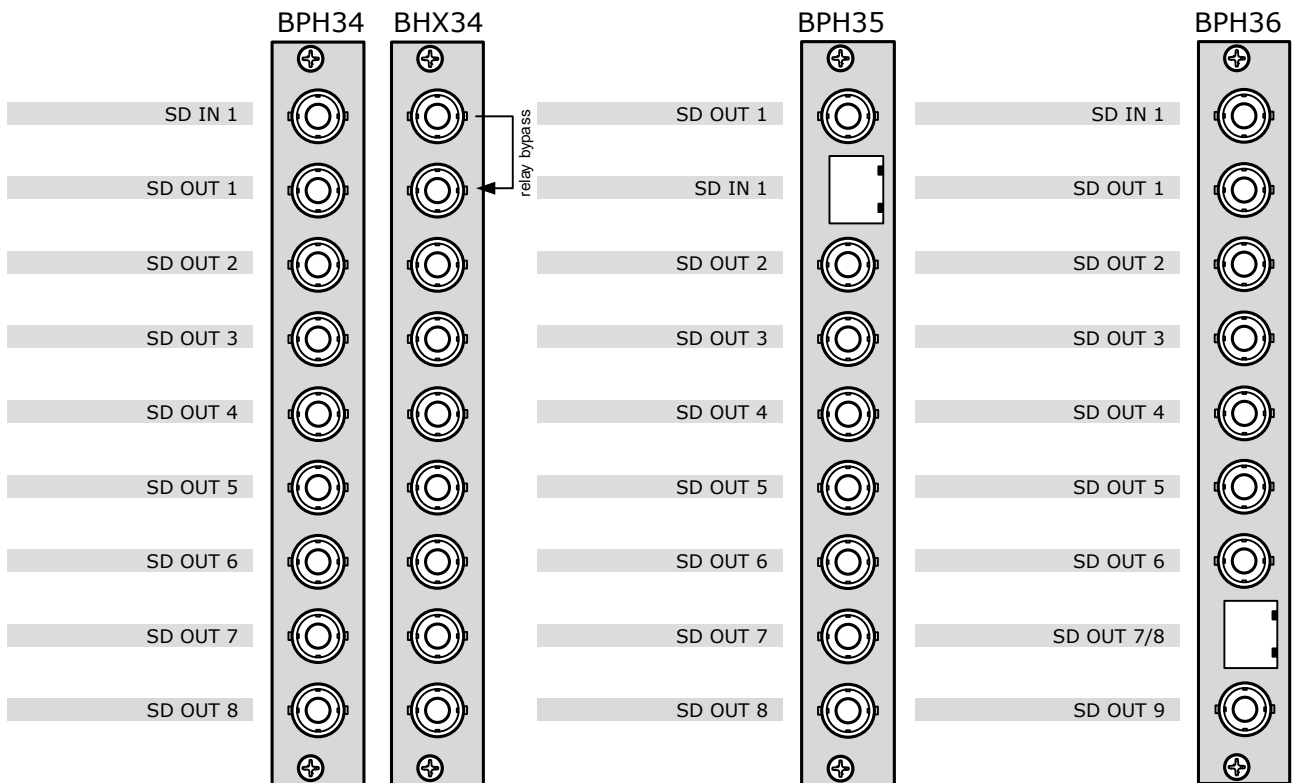
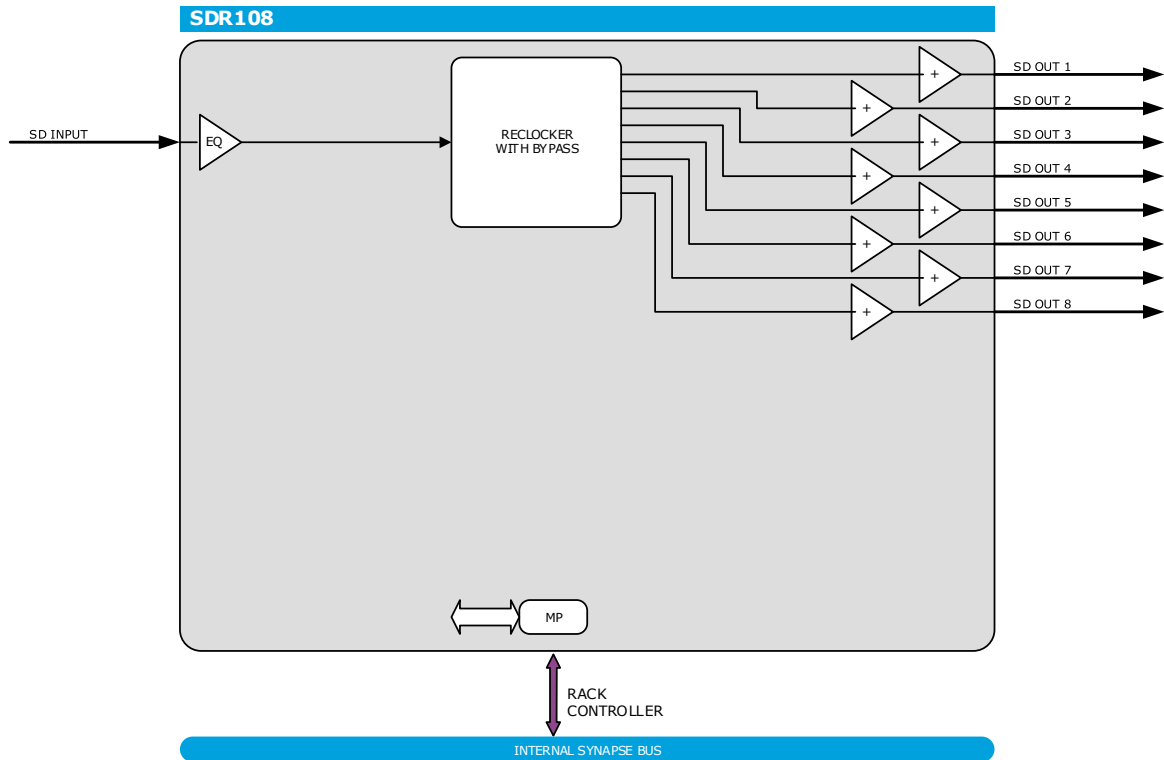


COPYRIGHT ©2019 AXON DIGITAL DESIGN BV

ALL RIGHTS RESERVED

NO PART OF THIS DOCUMENT MAY BE REPRODUCED IN ANY FORM WITHOUT THE PERMISSION OF AXON DIGITAL DESIGN BV.

Block Schematic & I/O panel



Features

The SDR108 is a single channel SD SDI distribution amplifier. This card can be used as reclocking or non-reclocking amplifier. This card is ASI/DVB compatible

- Compatible with:
 - SD SDI 270 Mbit/s (SMPTE 259M)
 - ASI/DVB
- Bypass function of the reclocker for non-standard frequencies
- Choice of IO standards through use of SFP modules
 - Single Fiber, CVBS, SDI or HDMI input with BPH35
 - Dual fiber, dual CVBS, dual SDI outputs or single HDMI output with BPH36
- Input carrier detection
- Full control and status monitoring through the front panel of the SFR04/SFR08/SFR18 frame and the Ethernet port (ACP)

Applications

- SDR108 can be used as a single channel generic SD DA The
- ASI/DVB distribution

Ordering information

Module:

- **SDR108:** 3Gb/s, HD, SD-SDI reclocking distribution amplifier

Standard I/O:

- **BPH34_SDR108:** I/O-panel for SDR108

Relay bypass I/O:

- **BHX34_SDR108:** I/O-panel with relay bypass for SDR108

SFP I/O:

- **BPH35_SDR108:** I/O-panel with SFP module input option
- **BPH36_SDR108:** I/O-panel with SFP module output option

Specifications

Video Input

Standard	SD SDI: SMPTE259M
Number of Inputs	1
Connector	BNC
Equalization	Typical maximum equalized length of Belden 1694A cable: 350m at 270Mb/s
Return Loss	> 15dB

Serial Video Output

Standard	SD SDI: SMPTE424, SMPTE259M, SMPTE 292M
Number of Outputs	8 (configurable)
Connector	BNC
Signal Level	800mV nominal
DC Offset	0V \pm 0.5V
Rise/Fall Time	135ps nominal
Overshoot	< 10% of amplitude
Return Loss	> 15dB (typ.)
Wideband Jitter	< 0.2UI

Miscellaneous

Weight	Approx. 250g
Operating Temperature	0 °C to +50 °C
Dimensions	137 x 296 x 20 mm (HxWxD)

Electrical

Voltage	+24V to +30V
Power	<6 Watts